

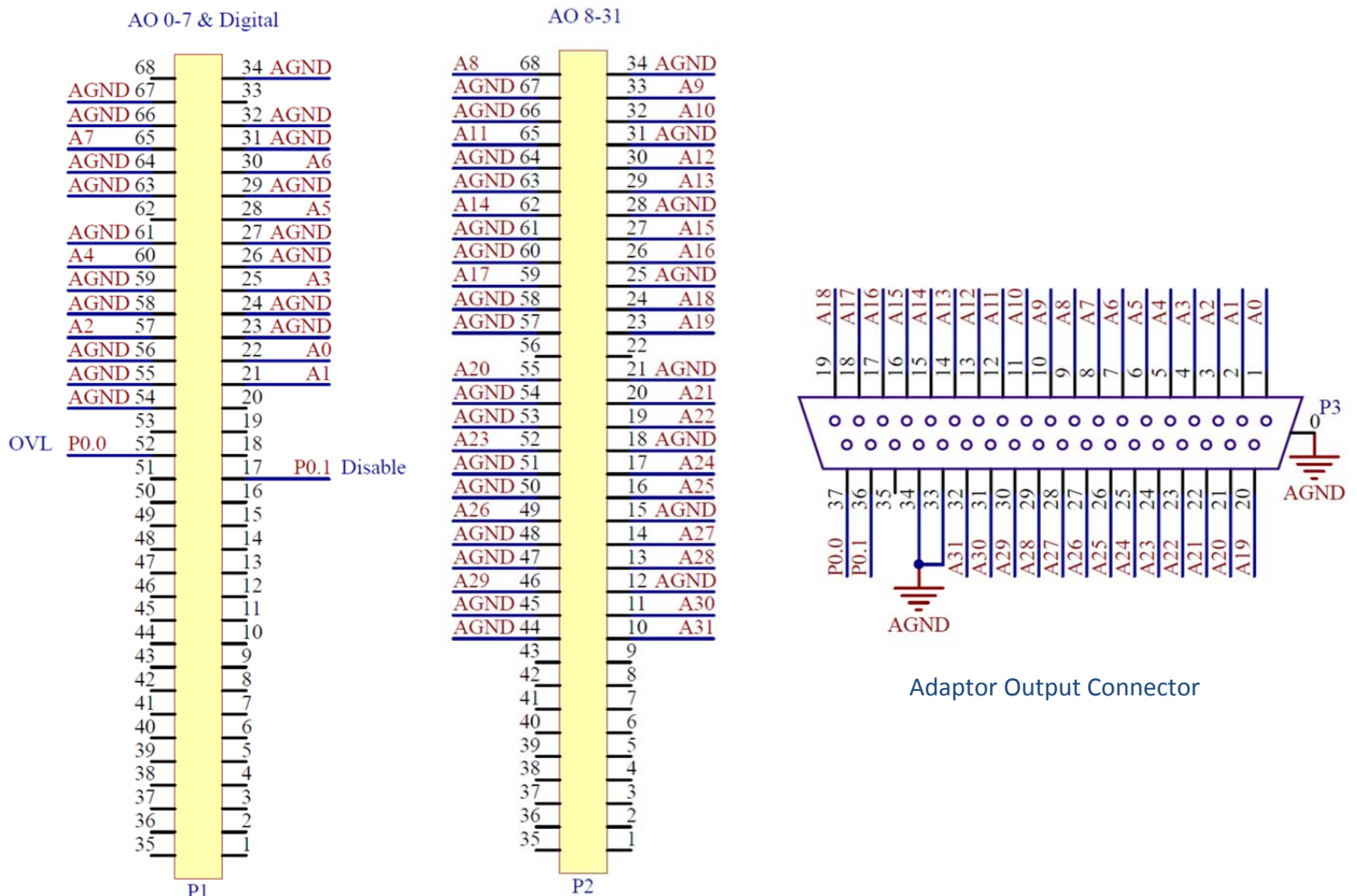
## PD-6723 Adaptor for National Instruments PXI/PCI-6723

### Specifications

The adaptor is designed to map the analog outputs from the National Instruments PXI-6723 and PCI-6723 DAC cards (via an SH68-C68-S Cable) to a DB37 connector compatible with the PiezoDrive PD32. In addition, one of the digital outputs is mapped to the amplifier shutdown command; and one of the digital inputs is mapped to the amplifier overload sensor. An overview of the connections and the schematic diagram are shown below.

The adaptor connects to the amplifier with DB37 Male to Male Cable with straight-through wiring, for example [www.cablesondemand.com](http://www.cablesondemand.com) CS-DSDMDB37MM-002.5.

PXI/PCI-6723 Connections	DB37 Output Connector
Analog outputs A0 to A31	Pins 1 to 32
Digital output P0.1	Disable Pin (36)
Digital input P0.0	Overload Detection (37)



PXI/PCI-6723 Pinout