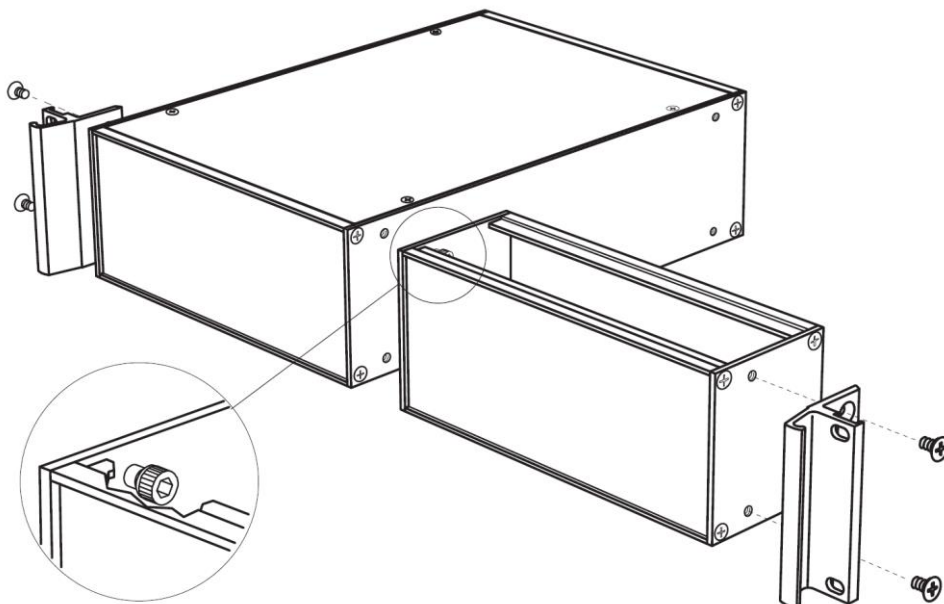


Rack Mounting Options

PiezoDrive amplifiers can be rack mounted using a single amplifier, or side-by-side configuration, as described below.

Single Rack Kit

A single rack kit can be used to mount a single amplifier in a 19-inch rack enclosure. The kit includes the spacer (right), rack handles, and required fasteners.



Single rack kit assembly diagram

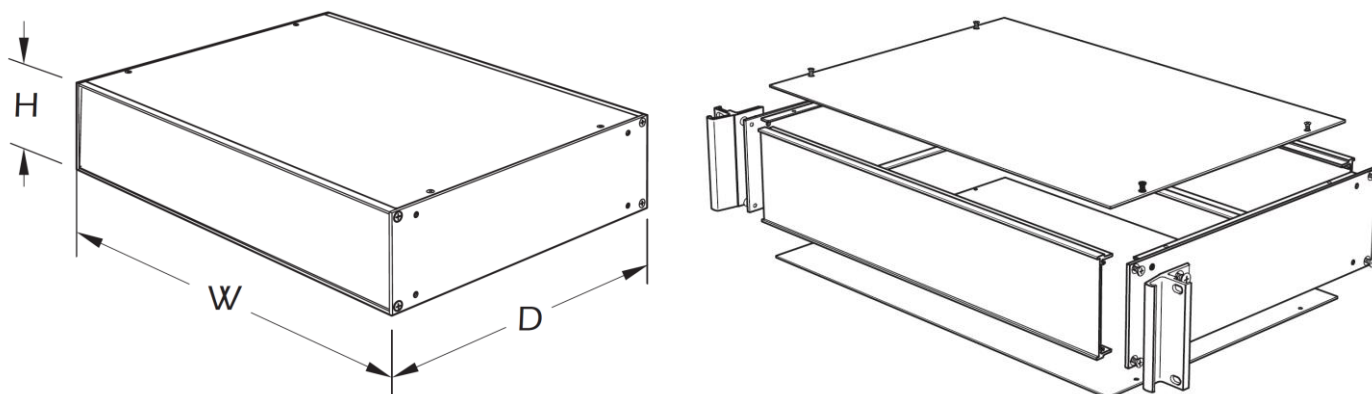
The dimensions (excluding the handles) are:

	Rack Units	Metric	Imperial
Height	2U	88.1 mm	3.47 in
Width	Half Rack	212.6 mm	8.37 in
Depth	12 in	304.8 mm	12 in

The order code is **SingleRackKit-2U**. Compatible instruments include the: PX200, PD32, and PDUS200.

Full Rack Enclosure

The full rack enclosure is a 19-inch wide enclosure with detachable handles. This option can be used to mount three PD200 amplifiers or two PX200 or PD32 amplifiers. Additional lead-time is may be required as these enclosures are built on demand.



Full rack kit enclosure and parts diagram

The dimensions (excluding the handles) are:

	Rack Units	Metric	Imperial
Height	2U	88.1 mm	3.47 in
Width	Full Rack	424.9 mm	16.73 in
Depth	12 in	304.8 mm	12 in

The compatible amplifiers and order codes are:

Instrument	Single Rack Kit	Full Rack Enclosure	Notes
PD200	(Not possible)	PD200-Rack	1
PX200	SingleRackKit-2U	PX200-Dual	
PD32	SingleRackKit-2U	PD32-Dual	

Notes

1. Choose number of PD200 units, up to three.